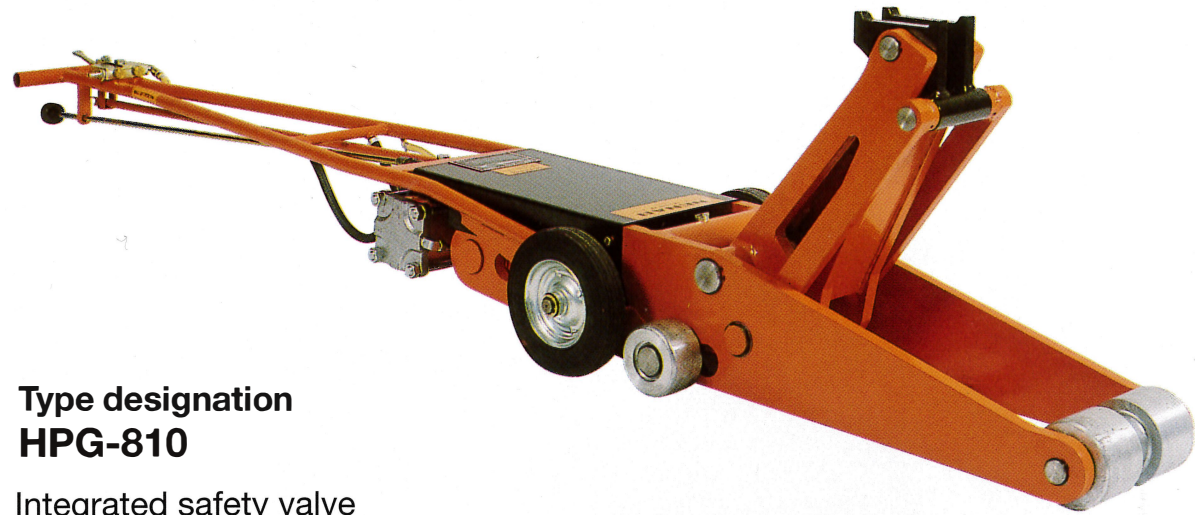


## AIR-HYDRAULIC JACKS

**NENAB HPG-810** Lifts 10 tonnes at 8 bar  
For buses and vehicles with low ground clearance



Type designation  
**HPG-810**

Integrated safety valve  
prevents overloading

CE -marked

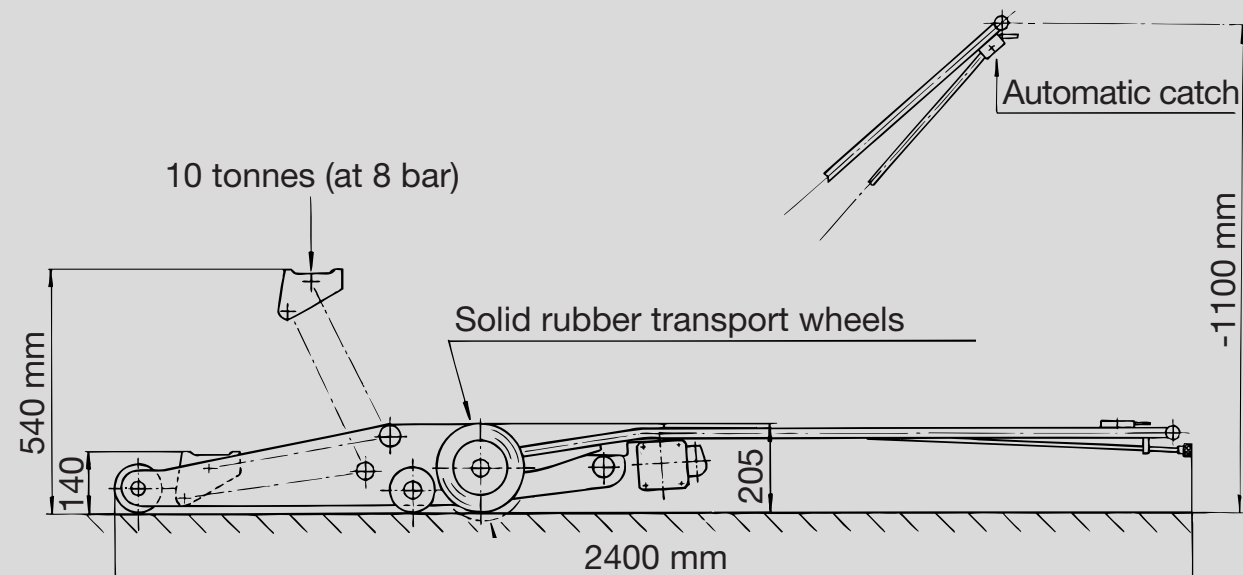
The jack, which is ruggedly dimensioned and robust despite its low initial height, is equipped with double internally ground and hard chromed lifting cylinders with ground and hard chromed piston rods.

The power unit and operating valve are the same as for types HPG-816 and HPG-820. Airdriven return gives quick lowering even when not loaded.

The entire jack is assured of maximum durability and long life.

Main dimensions and data: see diagram below.

Width across transport wheels: 450 mm. Total weight HPG-810, 150 kg.



# NENAB®

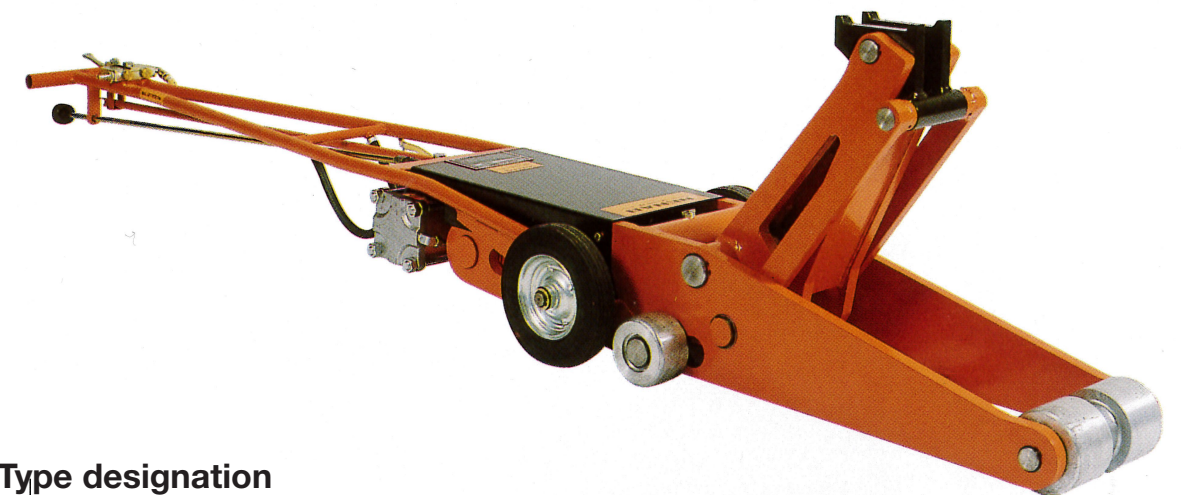
## AIR-HYDRAULIC JACKS

for tough demands on quality and capacity



Type designation  
**HPG-820**  
**HPG-816**

CE -marked



Type designation  
**HPG-810**

Integrated safety valve, prevents overloading,  
on all three types of lifters.

CE -marked

Manufacturer: Ing.firma NEVINOR AB, Box 311, 811 23 SANDVIKEN, Sweden  
Tfn. +46 26 25 07 30. Fax +46 26 25 88 25

## AIR-HYDRAULIC JACKS

**NENAB HPG-820** Lifts 20 tonnes at 8 bar  
For earth moving machinery and heavy vehicles

## AIR-HYDRAULIC JACKS

**NENAB HPG-816** Lifts 16 tonnes at 8 bar  
For trucks and heavy transport vehicles

Replaceable lifting lug, can be fitted with an extension for extra high lifts.

Greatest height over frame = 270 mm.  
Width across transport wheels = 470 mm.  
Total length = 2460 mm.  
Total weight HPG-820, 200 kg.  
Total weight HPG-816, 190 kg.

Min. 185 mm.  
Max. 700 mm.

Lifting saddle and saddle mounting made from solid forged steel.

Bearing pins are ground, hard-chromed and equipped with grease nipples.

NOTE! Nose section designed for maximum accessibility in restricted spaces.  
Width = 275 mm.

### NOTE!

Quick travel to lift position and air powered return which gives quick lowering even when unloaded.  
Lifting time until wheel hangs freely is about 15 sec.

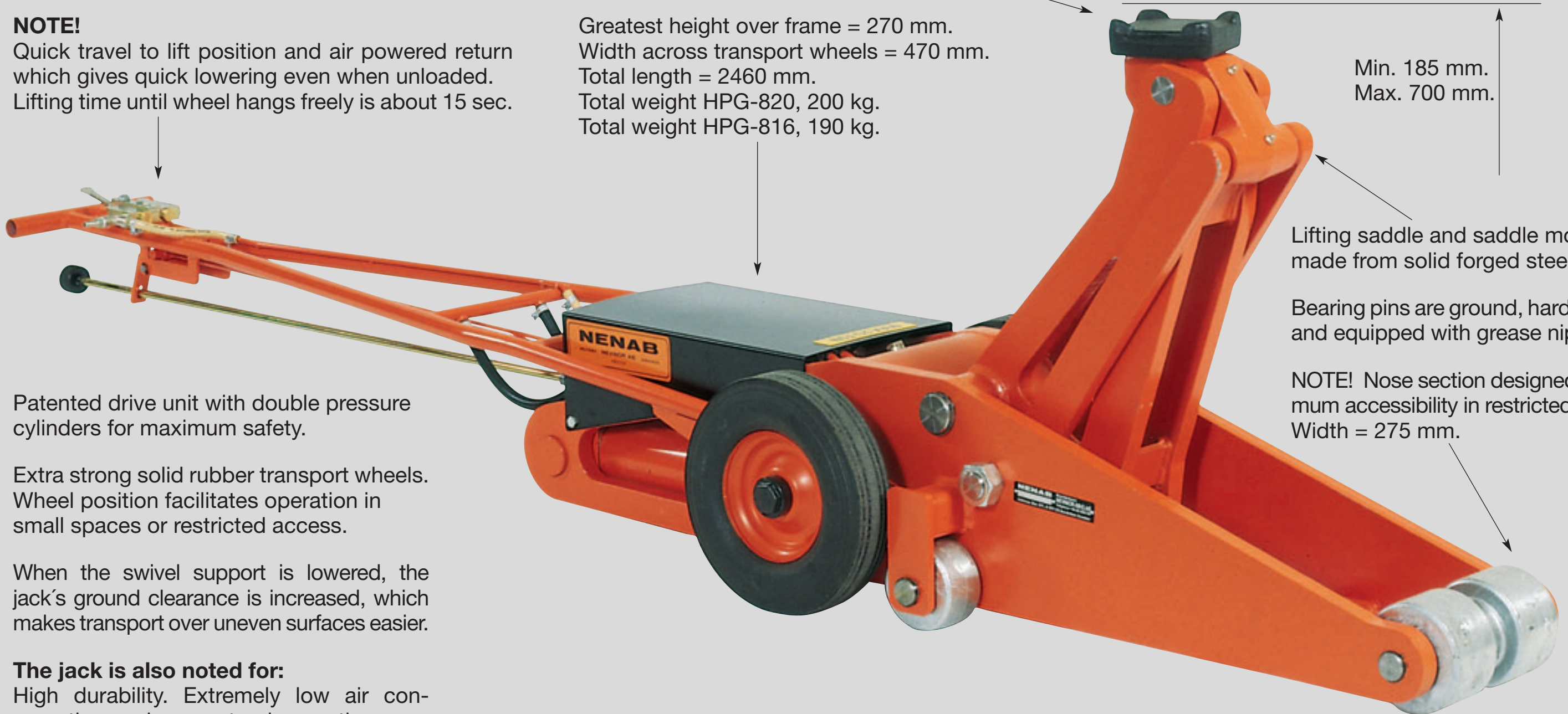
Patented drive unit with double pressure cylinders for maximum safety.

Extra strong solid rubber transport wheels.  
Wheel position facilitates operation in small spaces or restricted access.

When the swivel support is lowered, the jack's ground clearance is increased, which makes transport over uneven surfaces easier.

### The jack is also noted for:

High durability. Extremely low air consumption and guaranteed operation economy.



**FUNCTIONAL OPERATION, HIGH QUALITY AND EXTREMELY LONG LIFE PROVIDE THE BEST GUARANTEE FOR A SOUND INVESTMENT**